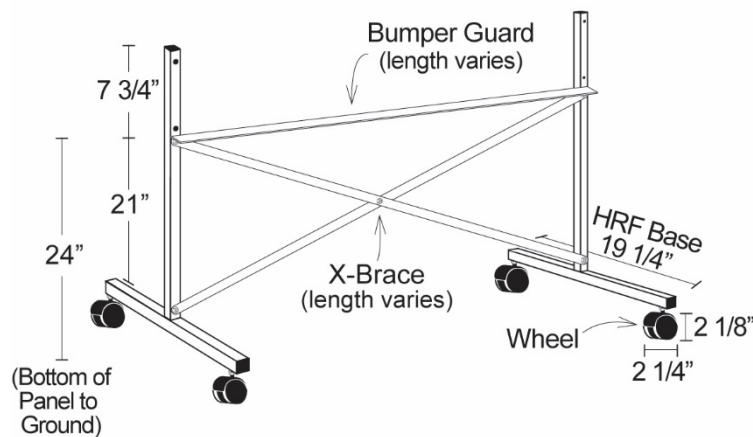


ALVAS GLASSLESS MIRROR HIGH ROLLING FRAME SPECIFICATIONS

ALL DIMENSIONS ARE APPROXIMATE



Alvas High Rolling Frames are made of steel and lift the glassless mirror panel approximately 24" off the ground. Specially designed frame allows the mirrors to "nestle" together for easy space saving storage. The frames (with Alvas unique Bumper Guard) also provide additional protection and rigidity for the glassless mirror panels.

SPECIFICATION DISCLAIMER

Alvas Barres Floors Mirrors ("Alvas") encourages customers to have all Alvas products professionally installed and maintained by an experienced and licensed contractor. Alvas provides product specifications for clients' information and convenience only. Alvas cannot and does not make any representations, warranties or guarantees with respect to the specifications of Alvas products or the accuracy thereof.

If you believe that a particular product does not meet the specifications provided or are unsure, please contact Alvas immediately. Failure to do so may adversely affect your rights under Alvas' claims and return policies.

Improper installation, care or maintenance of any barre, floor, mirror, or other Alvas product may invalidate the product's warranty or guarantee, if any. Alvas reserves the right to deny customer claims made pursuant to any such warranty or guarantee if Alvas determines the damage or defect to the product is the result of improper installation, care, maintenance or use of the product.